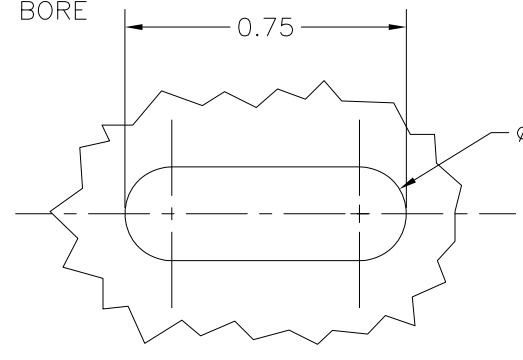
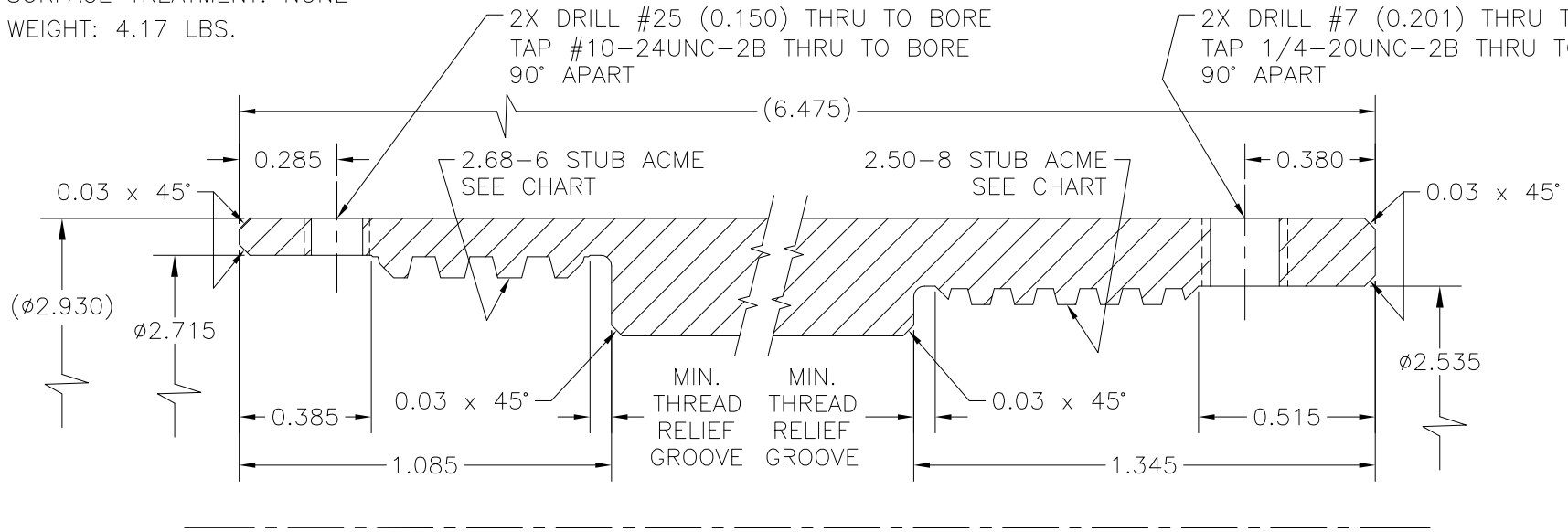


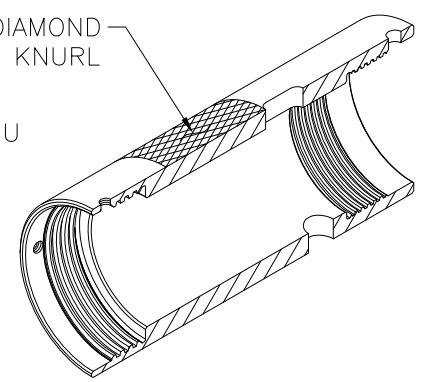
NOTES:

- MATERIAL: BAR, 17-4PH/15-5PH, $\phi 2.930 \times 6.475$ LG.
- HEAT TREAT: COMMERCIAL HT.
- SURFACE TREATMENT: NONE
- WEIGHT: 4.17 LBS.

REVISIONS				
NO	DESCRIPTION	DATE	BY	APR/DATE
0	ISSUED FOR MANUFACTURE	05/12/10		

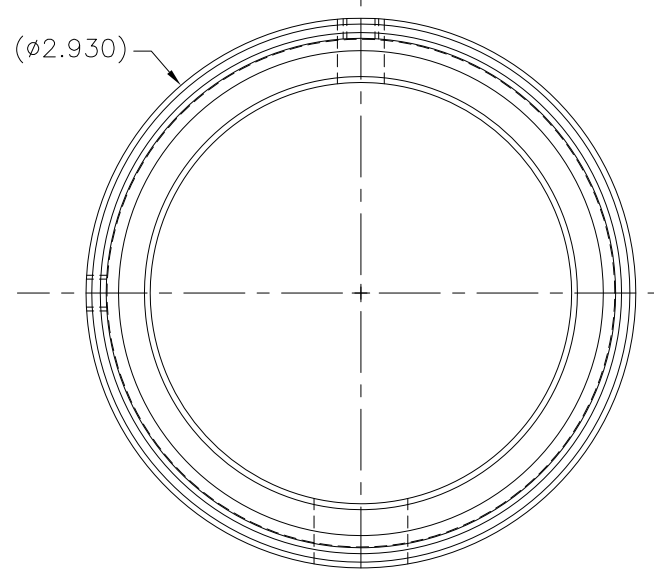


VIEW 1-D-3
REF. 1-C-2

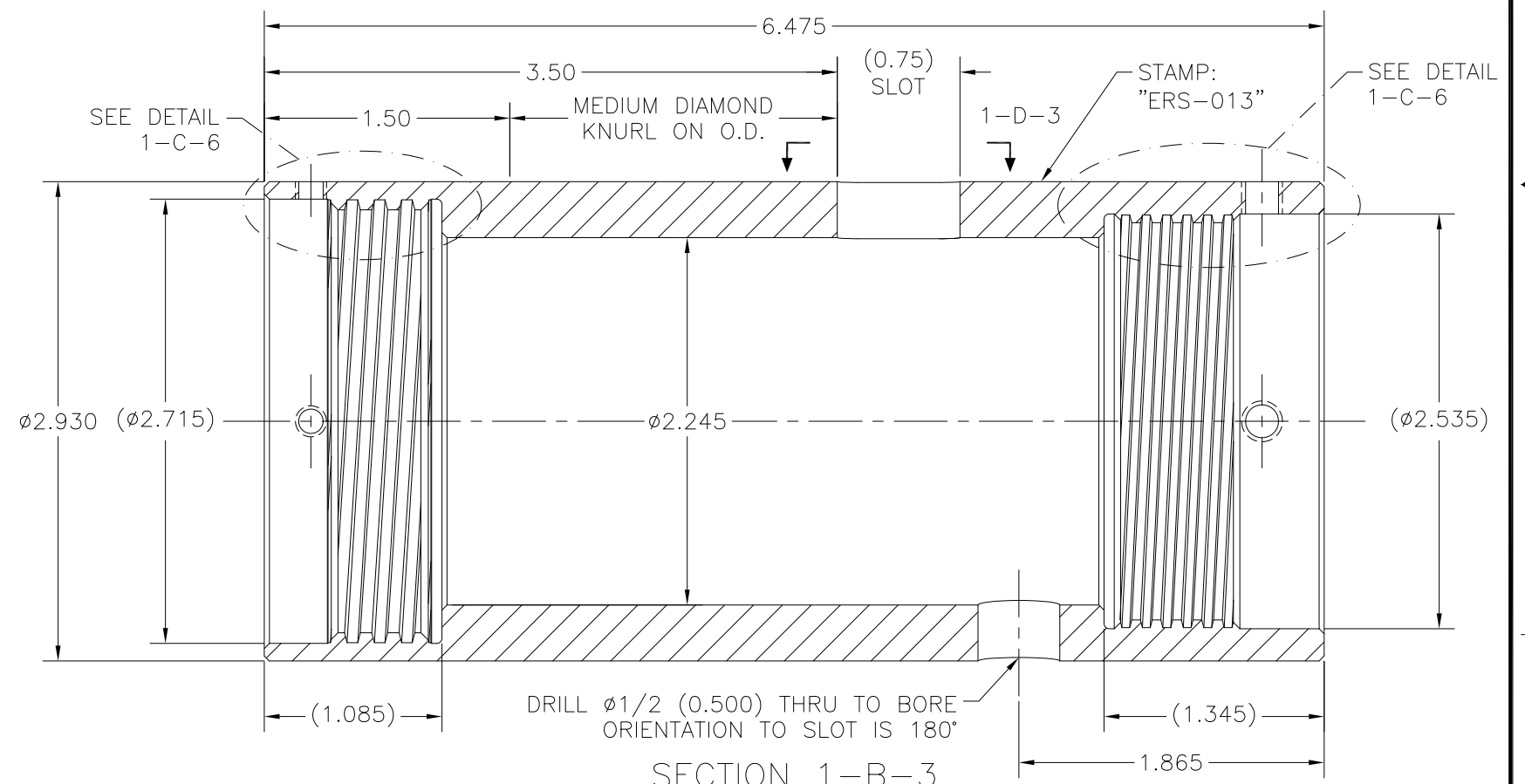


PICTORIAL 1-D-1
MOTOR HOUSING-SKIRT CROSSOVER
N.T.S.

DETAIL 1-C-6
REF. 1-C-4 & 1-C-1



END VIEW 1-B-6
MOTOR HOUSING-SKIRT CROSSOVER



SECTION 1-B-3
REF. 1-A-6

2.68-6 STUB ACME THREAD
INTERNAL

MAJOR DIAMETER, MIN.	-	2.700
MAJOR DIAMETER, MAX.	-	2.722
PITCH DIAMETER, MIN.	-	2.630
PITCH DIAMETER, MAX.	-	2.652
MINOR DIAMETER, MIN.	-	2.580
MINOR DIAMETER, MAX.	-	2.588
BASIC THREAD HEIGHT	-	0.050
BASIC WIDTH OF CREST	-	0.070
THREAD PITCH	-	0.167

2.50-8 STUB ACME THREAD
INTERNAL

MAJOR DIAMETER, MIN.	-	2.520
MAJOR DIAMETER, MAX.	-	2.530
PITCH DIAMETER, MIN.	-	2.463
PITCH DIAMETER, MAX.	-	2.473
MINOR DIAMETER, MIN.	-	2.425
MINOR DIAMETER, MAX.	-	2.431
BASIC THREAD HEIGHT	-	0.038
BASIC WIDTH OF CREST	-	0.053
THREAD PITCH	-	0.125

<p>TOLERANCES: UNLESS OTHERWISE SPECIFIED</p> <p>0.X ± 0.030 0.XX ± 0.010 0.XXX ± 0.005</p> <p>ANGLES ± 1/2° BREAK EDGES 0.015 x 45° MIN.</p> <p>FINISH 125</p> <p>$\sqrt{0.010A}$</p> <p>ALL DIMS ARE IN INCHES, UNLESS NOTED OTHERWISE.</p>	<p>PROPRIETARY NOTICE THIS DRAWING AND THE INFORMATION IT CONTAINS ARE CONSIDERED CONFIDENTIAL, AND MAY NOT BE REPRODUCED, COPIED OR USED, IN PART OR IN WHOLE, WITHOUT PRIOR WRITTEN CONSENT.</p>	<p>Integrated Ocean Drilling Program TEXAS A&M UNIVERSITY 1000 DISCOVERY DRIVE COLLEGE STATION, TX 77845</p>	
		<p>SHEET 1 OF 1</p> <p>SCALE 1:2</p> <p>BY KM DATE 03/31/10</p>	<p>TITLE MOTOR HOUSING-SKIRT CROSSOVER</p> <p>SYSTEM ASSEMBLY</p> <p>CHECKED JCS</p> <p>APPROVED TP</p> <p>DATE 03/31/10</p>